

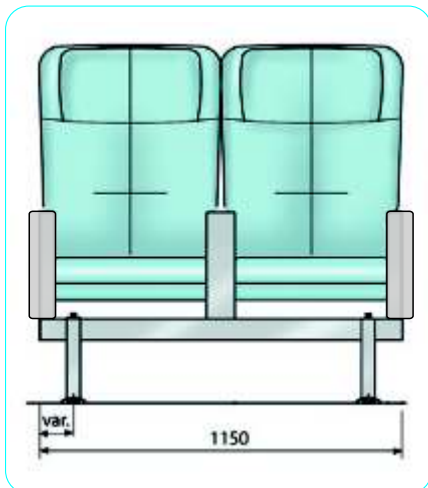
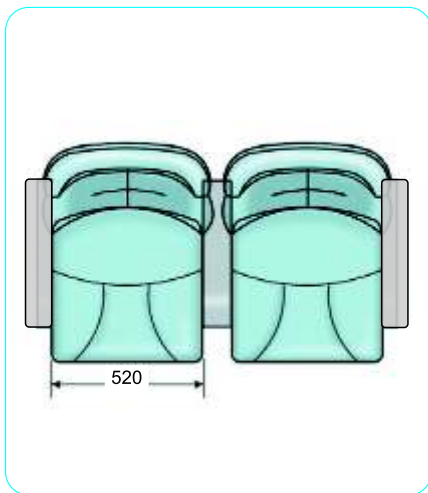
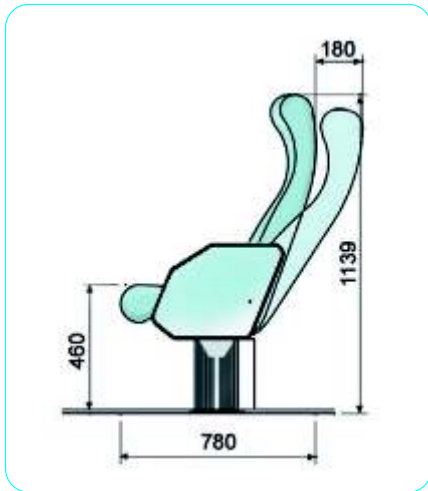


DIPLOMAT EXTENDED

The “Bahama Diplomat Extended” offers extra comfort for passengers with a design allowing a more spacious seating experience than standard seating solutions. A chair for those with higher expectations!

The “Bahama Extended” offers reclining possibilities down to 45dgr.
The seats are delivered with closed armrests as standard for each individual seat.

The “Bahama 2000 Diplomat” is approved according to HSC-2000-Annex 10, level 1 and 2: gcoll up to 12g.



*please reconfirm measurements with company!



*armrest top as seen on picture is optional.

Please ask for quotation.

Below form gives total width in mm. based on number of armrests (90 mm.) per row of seats.

		ARMRESTS – Nos/row								
		0	1	2	3	4	5	6	7	Legs Nos/row
SEATS – Nos/row	1	520		700						2
	2	1040			1310					2
	3	1560				1920				2
	4	2080					2530			3
	5	2600						3140		3
	6	3120							3750	3

*Weight excl. armrests based on a 4-seat arrangement: approx. 14,5 kgs/seat